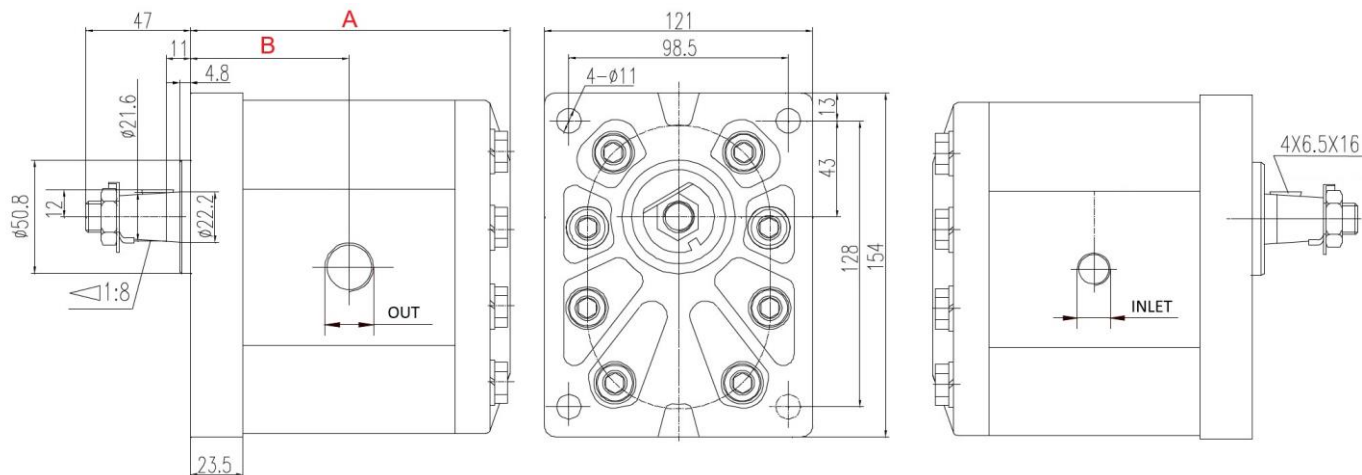


## DATASHEET - DIMENSIONS - GR.3



### RIGHT

Code	Flow (L/min)	Working pressure (bar)	Max. pressure (bar)	Revolution (rpm)	Suction thread	Pressure thread	A (mm)	B (mm)
11881	32	200	250	3000	1"	3/4"	137,5	67
10517	36						140,5	68,5
10440	42						144,5	70,5
10264	46			147,5			72	
10489	50			150			73,5	
10641	55			153,5			75	

### LEFT

Code	Flow (L/min)	Working pressure (bar)	Max. pressure (bar)	Revolution (rpm)	Suction thread	Pressure thread	A (mm)	B (mm)
11882	32	200	250	3000	1"	3/4"	137,5	67
11883	36						140,5	68,5
11884	42						144,5	70,5
11885	46			147,5			72	
11866	50			150			73,5	
11887	55			153,5			75	